

Elevate II

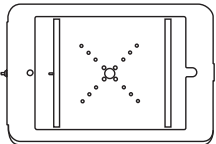
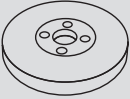
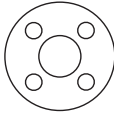




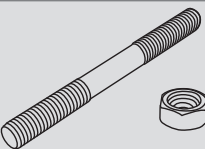
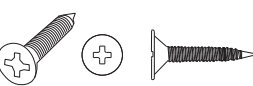
Flex Wall | Countertop Mount Kiosk (Metal Enclosure)

Assembly Instructions

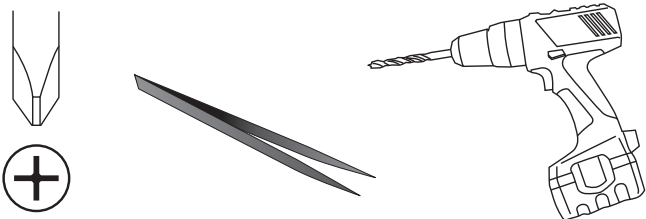
JOY
thejoyfactory



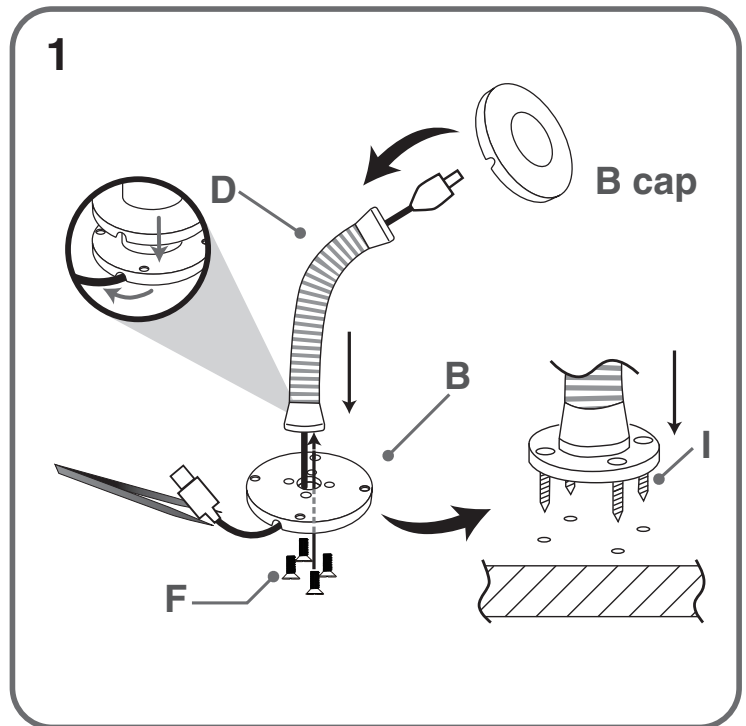
Contents

A	x1	
B	x1	
C	x1	
D	x1	
E	x2	
F	x4	
G	x4	
H	x4	
I	x4	

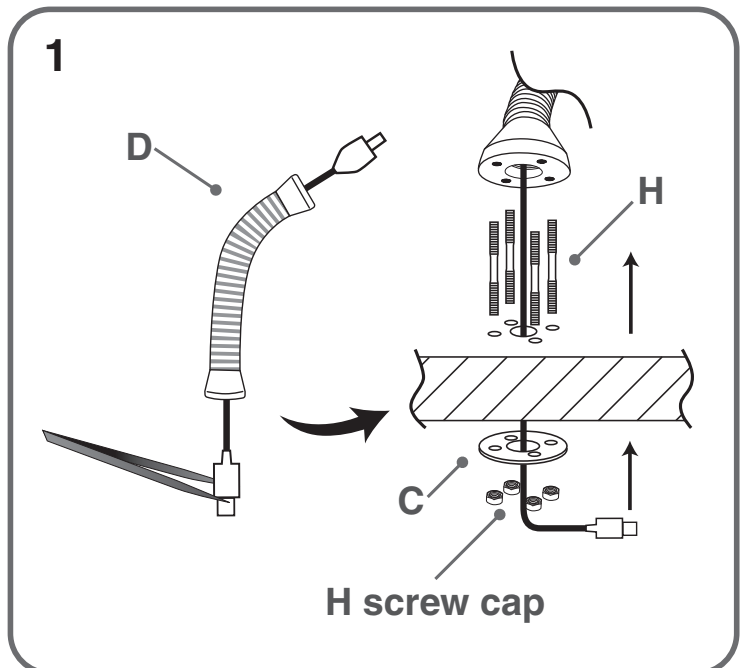
Tools required



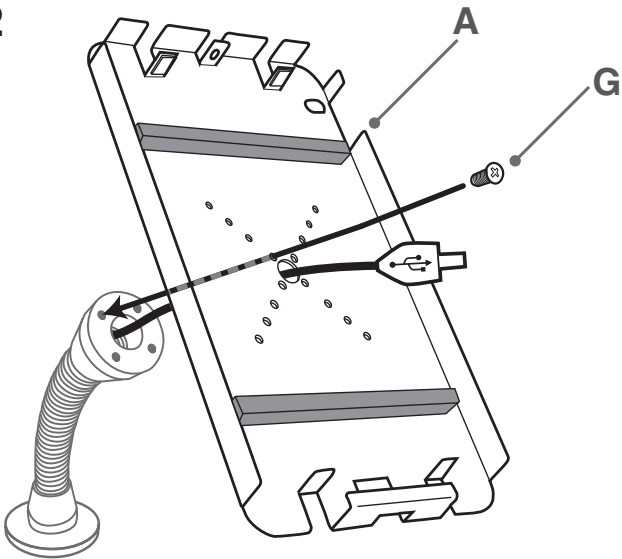
OPTION A Mount from above the surface



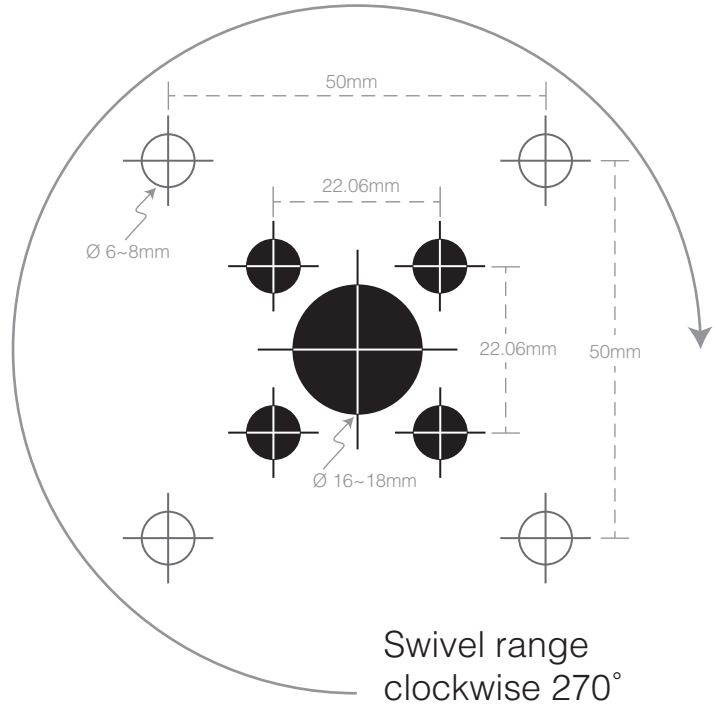
OPTION B Mount below the surface



2



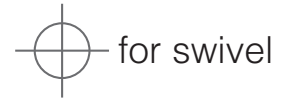
Drilling Template (Scale 1:1)



Swivel range
clockwise 270°

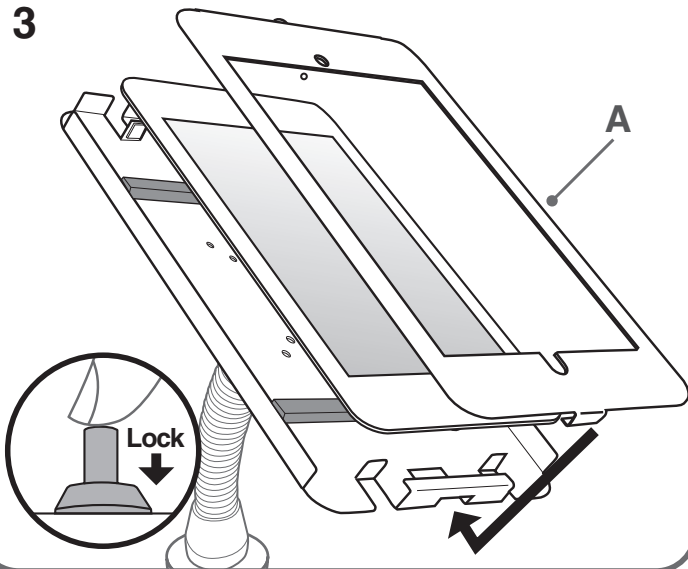


for arm



for swivel

3

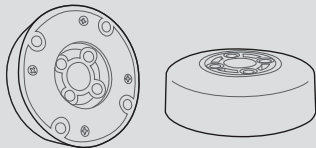


Optional 90° Module

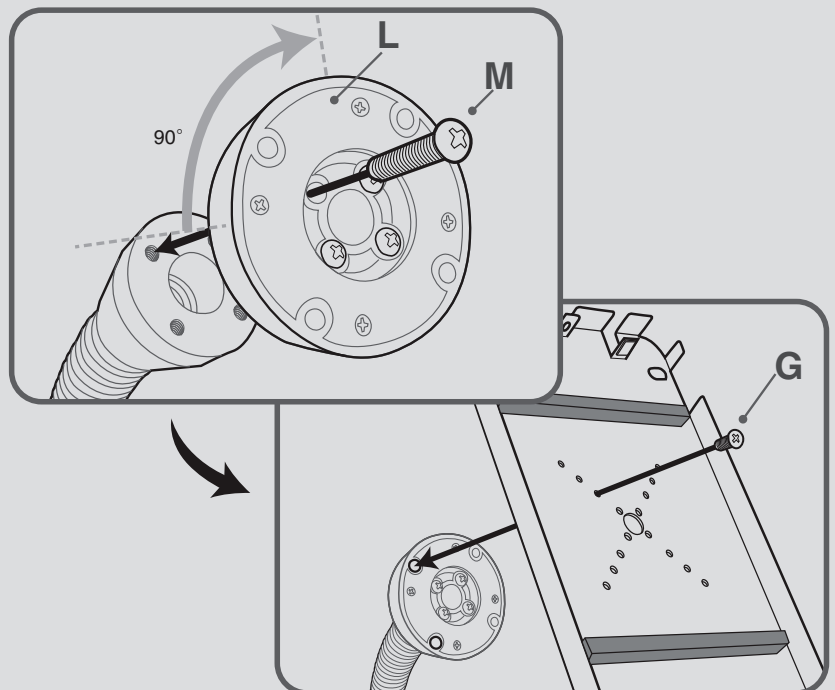
Assembly Instructions

Contents

L x1



M x4



Email us at support@thejoyfactory.com
or call us at +1(949) 216-8888

© The Joy Factory, Inc.